

# **Ersatzteilliste**

*Spare Parts List / Liste des pièces détachées / Lista delle parti di ricambio*

---

## **Fugenschneider FSD930\*\***

*Index / Indice 001*



## Verwendung der Ersatzteilliste

Die Ersatzteilliste ist keine Montage- oder Demontageanleitung. Diese Ersatzteilliste dient ausschliesslich zum einfachen und schnellen Finden von Ersatzteilen, die bei der untenstehenden Adresse bestellt werden können.

### Sicherheitsvorschrift



#### Gefahr

**Montieren oder demontieren von Baugruppen kann Risiken bergen, auf die in dieser Ersatzteilliste nicht hingewiesen wird.**

**Das Verwenden dieser Ersatzteilliste für Montage- oder Demontagezwecke ist strikte verboten. Für Montage- und Demontearbeiten sind ausschliesslich die entsprechenden Beschreibungen in der Betriebsanleitung zu befolgen.**

**Nichtbeachten dieser Vorschrift kann zu Verletzungen führen, die im schlimmsten Fall auch den Tod zur Folge haben könnten.**

### Bestellungen



#### Information

Um Falschlieferungen zu vermeiden sollten vor der Versendung die Angaben in der Bestellung auf Richtigkeit und Vollständigkeit (siehe unter Bestellangaben) überprüft werden.

Es ist auch darauf zu achten, dass die Lieferadresse vollständig angegeben ist.

### Bestelladresse:

**TYROLIT Hydrostress AG**  
Witzbergstrasse 18  
CH-8330 Pfäffikon  
Switzerland  
Telefon +41 (0) 44 / 952 18 18  
Telefax +41 (0) 44 / 952 18 00  
e-mail: [info@tyrolit.com](mailto:info@tyrolit.com)  
[www.tyrolit.com](http://www.tyrolit.com)

# **Ersatzteilliste**

## **Bestellangaben**

Bei Bestellungen von Ersatzteilen benötigen wir folgende Angaben:

- Maschinentyp gemäss Typenschild
- Maschinenummer gemäss Typenschild
- Maschinenindex gemäss Typenschild
- Ersatzteilnummer gemäss Ersatzteilliste

Für Bestellungen, Fragen und Informationen wenden Sie sich bitte an die zuständige Niederlassung.

## How to use the spare parts list

The spare parts list is not intended as instructions for assembly or dismantling work. It is exclusively intended to help you to quickly and easily find spare parts, which can then be ordered at the address below.

### Safety regulations



#### Danger

**The assembling or dismantling of modules can involve risks which are not identified in this spare parts list.**

**The use of this spare parts list for assembly or dismantling purposes is strictly forbidden. For assembly or dismantling tasks it is essential to only follow the corresponding descriptions in the operating manual.**

**If this regulation is not heeded injuries may be incurred which in the worst case can also be fatal.**

### Ordering



#### Information

To avoid incorrect deliveries you should check the order details for correctness and completeness (see under ordering details) prior shipment.

You should ensure that the delivery address is given in full.

### Order address:

#### **TYROLIT Hydrostress AG**

Witzbergstrasse 18

CH-8330 Pfäffikon

Switzerland

Tel. +41 (0) 44 / 952 18 18

Fax. +41 (0) 44 / 952 18 00

e-mail: [info@tyrolit.com](mailto:info@tyrolit.com)

[www.tyrolit.com](http://www.tyrolit.com)

# Spare Parts List

## Ordering details

When spare parts are ordered we need the following details:

- Machine type according to nameplate
- Machine number according to nameplate
- Machine index according to nameplate
- Spare part number according to the spare parts list

For orders, questions and information please contact your responsible branch office.

## Utilisation de la liste des pièces détachées

La liste des pièces détachées n'est pas une instruction de montage ou de démontage. Cette liste sert exclusivement à trouver simplement et rapidement les pièces détachées, qui peuvent être commandées à l'adresse mentionnée ci-dessous.

### Prescription de sécurité



#### Danger

**Le montage ou le démontage des modules peut présenter des risques dont il n'est pas fait mention dans cette liste des pièces détachées.**

**Il est strictement interdit d'employer cette liste des pièces détachées à des fins de montage ou de démontage. Pour les opérations de montage et de démontage, il faut exclusivement suivre les descriptions correspondantes dans le mode d'emploi.**

**Le non-respect de la présente prescription peut conduire à des blessures, pouvant même entraîner la mort.**

### Commandes



#### Information

Pour éviter des livraisons inappropriées, il est conseillé de vérifier avant l'expédition l'exactitude et l'exhaustivité des indications fournies dans la commande (voir Données de commande).

Il faut aussi veiller à bien indiquer l'adresse de livraison en entier.

### Adresse de commande :

**TYROLIT Hydrostress AG**

Witzbergstrasse 18

CH-8330 Pfäffikon

Suisse

Téléphone +41 (0) 44 / 952 18 18

Télécopie +41 (0) 44 / 952 18 00

e-mail: [info@tyrolit.com](mailto:info@tyrolit.com)

[www.tyrolit.com](http://www.tyrolit.com)

## Liste des pièces détachées

### Données de commande

Lors de la commande de pièces détachées, nous avons besoin des données suivantes :

- Type de machine selon la plaque signalétique
- Numéro de machine selon la plaque signalétique
- Indice de machine selon la plaque signalétique
- Numéro de pièce détachée selon la liste des pièces détachées

Pour les commandes, questions et informations, vous êtes prié de vous adresser à la filiale compétente.

## Uso della lista delle parti di ricambio

La lista delle parti di ricambio non è un manuale d'istruzioni per montaggio o smontaggio. Questa lista delle parti di ricambio serve esclusivamente per trovare in modo semplice e rapido parti di ricambio che possono essere ordinate all'indirizzo riportato qui sotto.

### Norme di sicurezza



#### Pericolo

**Il montaggio o lo smontaggio di componenti della macchina può comportare pericoli che non sono indicati in questa lista delle parti di ricambio.**

**E' assolutamente vietato servirsi di questa lista delle parti di ricambio per scopo di montaggio o di smontaggio. Per operazioni di montaggio o smontaggio occorre seguire esclusivamente le relative istruzioni nel manuale per l'uso della macchina.**

**La mancata osservanza di queste norme può comportare lesioni, e nel caso peggiore anche la morte.**

### Ordinazioni



#### Informazione

Per evitare forniture incorrette, occorre verificare prima dell'invio dell'ordinazione se i dati indicati in essa sono corretti e completi (vedere la lista dei dati per l'ordinazione).

Occorre verificare anche se l'indirizzo per la consegna è esatto e completo.

### Indirizzo per ordinazioni:

**TYROLIT Hydrostress AG**

Witzbergstrasse 18

CH-8330 Pfäffikon

Svizzera

Tel. +41 (0) 44 / 952 18 18

Fax. +41 (0) 44 / 952 18 00

e-mail: [info@tyrolit.com](mailto:info@tyrolit.com)

[www.tyrolit.com](http://www.tyrolit.com)



## **Lista delle parti di ricambio**

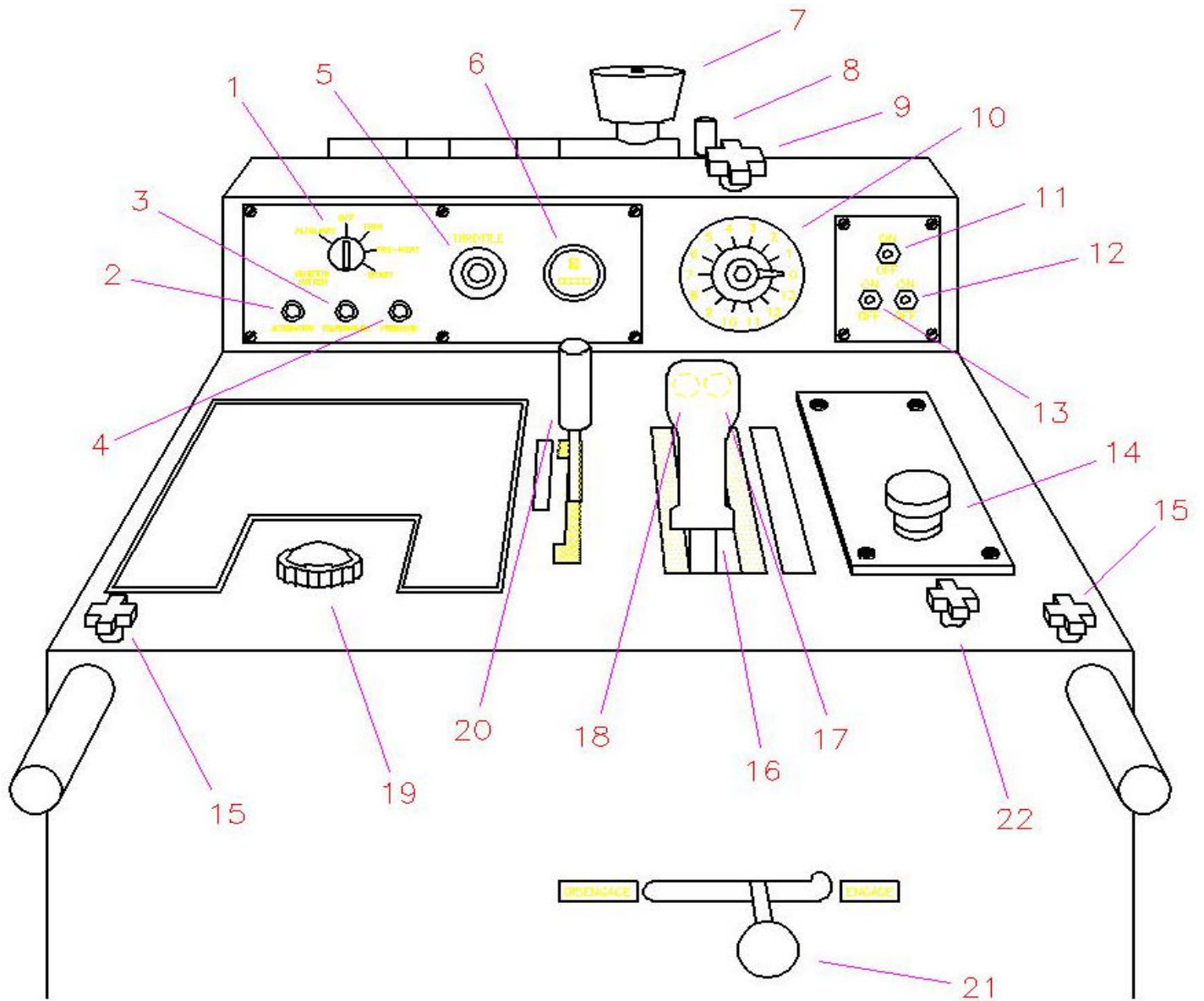
### **Dati per l'ordinazione**

Per ordinazioni di parti di ricambio ci occorrono i dati seguenti:

- Tipo di macchina indicato sulla targhetta della macchina
- Numero della macchina indicato sulla targhetta della macchina
- Indice della macchina indicato sulla targhetta della macchina
- Numero della parte di ricambio secondo la lista di parti di ricambio

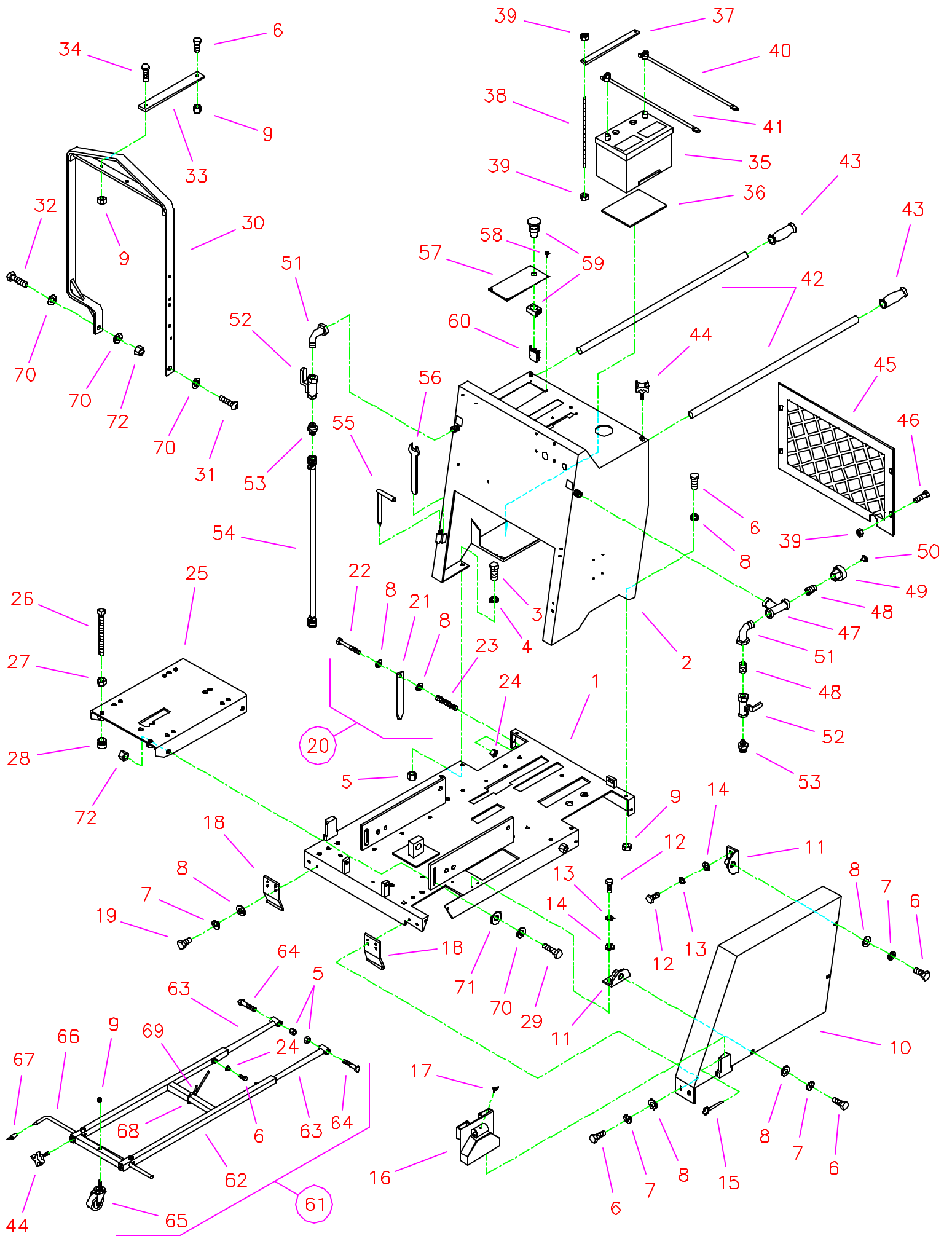
Per ordinazioni, domande o richieste d'informazioni Vi preghiamo di rivolgerVi all'agenzia competente.





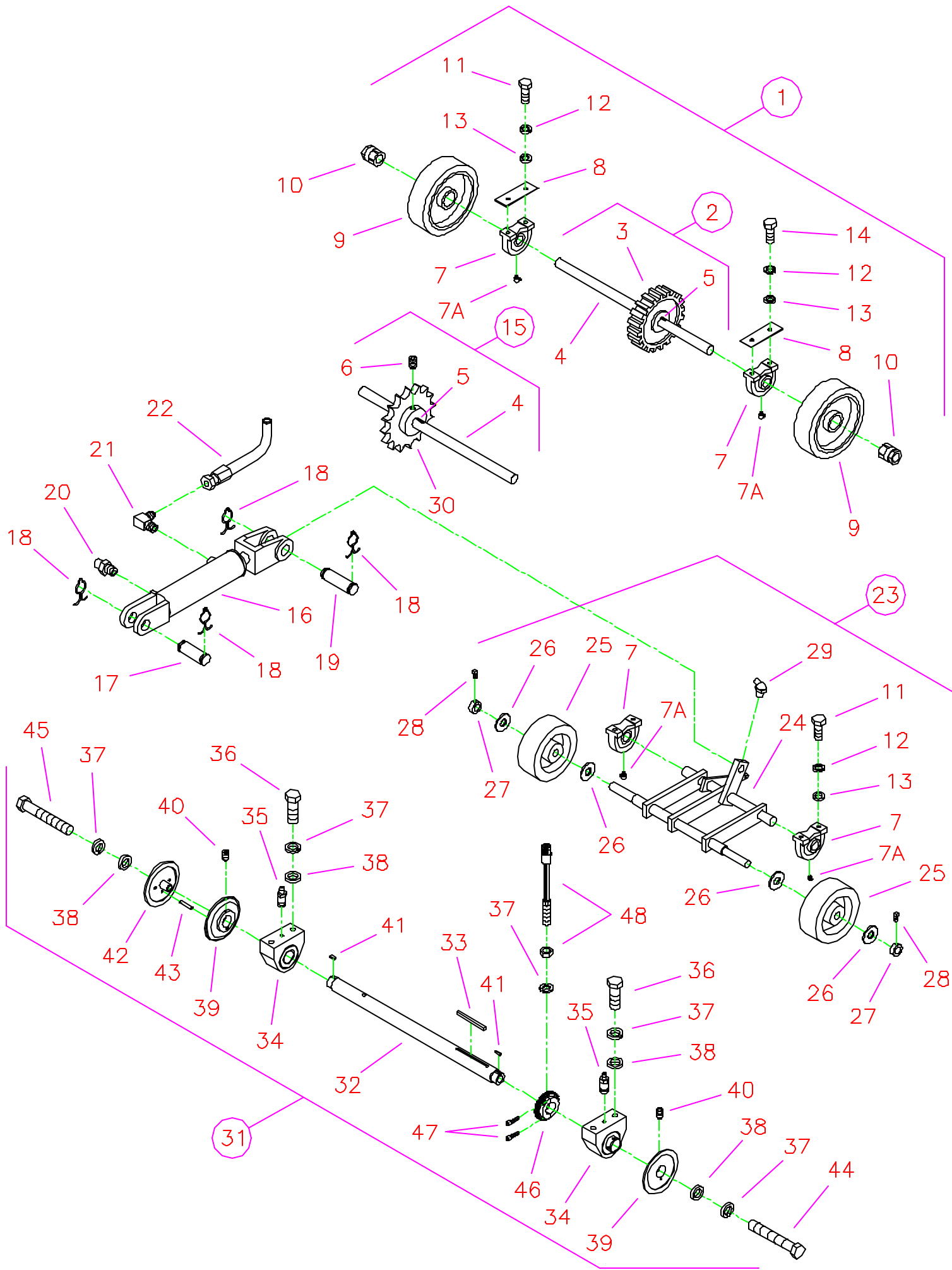
### CC3728 Saw Controls Legend

- |    |                                   |    |  |
|----|-----------------------------------|----|--|
| 1  | Ignition Switch                   | 12 | Spotlight Switch (Optional)              |
| 2  | Alternator Light (Orange)         | 13 | Water Pump Switch (Optional)             |
| 3  | Oil Temperature Light (Red)       | 14 | Emergency Stop Button                    |
| 4  | Oil Pressure Light (Green)        | 15 | Handle Lock Knobs                        |
| 5  | Vernier Throttle Control          | 16 | Speed Control Lever                      |
| 6  | Hour Meter                        | 17 | Lower Pushbutton                         |
| 7  | Pre-Cleaner                       | 18 | Raise Pushbutton                         |
| 8  | Air Cleaner Restriction Indicator | 19 | Fuel Tank Cap                            |
| 9  | Depth Stop Knob                   | 20 | Transmission Engagement Lever *          |
| 10 | Cutting Depth Indicator           | 21 | Transmission Engagement Lever **         |
| 11 | Water Safety Switch (Optional)    | 22 | Lowering Speed Metering Valve (Optional) |
- \* For Eaton Transmission Only  
 \*\* Optional for Sundstrand Transmission Only



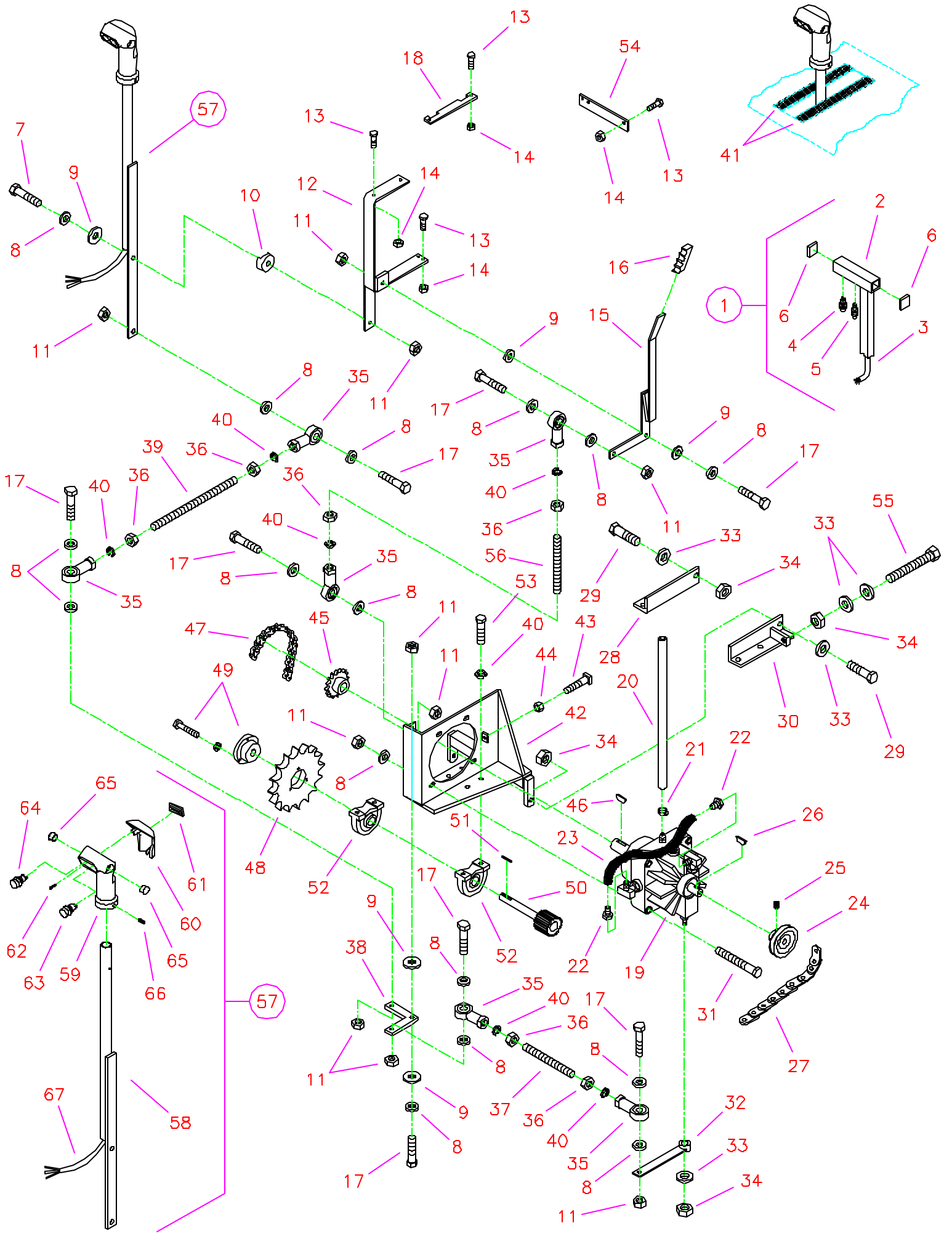
## Parts List Drawing I Frame Group

Diagram Number	Part No.	Qty. Req.	Description	Diagram Number	Part No.	Qty. Req.	Description
1	6012000	1	Frame Base	37	6010017	1	Battery Top Brace
	6012084	1	Frame Base (CC3728)	38	6010018	2	Rod, 1/4"-20 x 8-1/2"
2	6012001	1	Frame Upright	39	2900010	8	Lock Nut, 1/4"-20 Nylon
3	2900025	4	Capscrew, Hex Hd., 1/2"-13 x 1-1/4"	40	2800073	1	Battery Cable, Positive (Red)
4	2900058	4	Flat Washer, 1/2" SAE		2800071	1	Battery Cable, Positive (CC3700E)
5	2900026	6	Lock Nut, 1/2"-13 Nylon	41	2800072	1	Battery Cable, Negative (Black)
6	2900005	10	Capscrew, Hex Hd., 3/8"-16 x 1"	42	6010014	2	Handle Bar
7	2900006	7	Lock Washer, 3/8" Split	43	2500636	2	Handle Grip
8	2900014	13	Flat Washer, 3/8" SAE	44	2900234	4	Hand Lock Knob, 3/8"-16
9	2900018	5	Lock Nut, 3/8"-16 Nylon	45	6012008	1	Rear Cover Screen
10	6012010	1	Belt Guard	46	2900180	4	Machine Screw, Hex Washer Hd., 1/4"-20 x 1"
11	6012078	3	Guard Mounting Tab (CC3765)				
	6011110	3	Guard Mounting Tab	47	3200045	1	Pipe Tee, 1/2" NPT
12	2900019	6	Capscrew, Hex Hd., 5/16"-18 x 3/4"	48	3200008	2	Close Nipple, 1/2" NPT
13	2900031	6	Lock Washer, 5/16" Split	49	3200022	1	Fitting, 1/2" Female Pipe to 3/4" Female Garden Hose
14	2900022	6	Flat Washer, 5/16" SAE				
15	2900156	1	Lock Pin	50	3200025	1	Filter Hose Washer
16	6011046	1	Shaft/Flange Guard, Narrow	51	3200013	2	Street Elbow, 1/2" NPT
	6011187	1	Shaft/Flange Guard, Wide	52	3200027	2	Water Valve
17	2900307	1	Wing Screw, M6 x 16mm	53	3200155	2	Fitting, 1/2" Male Pipe to 3/4" Male Garden Hose
18	6011021	2	Skid Plate				
19	2900196	2	Capscrew, Hex Hd., 3/8"-16 x 3/4"	54	6010021	1	Hose Assembly, 42" Long
20	6011148	2	Rear Pointer Assembly (Includes #8, #21 - #24)	55	2900154	1	Bladeshaft Lock-Pin
				56	2500211	1	Bladeshaft Wrench, 15/16"
21	6011165	2	Rear Pointer	57	6011024	1	Hydraulic Pump Cover Plate
22	2900028	2	Capscrew, Hex Hd., 3/8"-16 x 2-3/4"	58	2900021	4	Tapscrew, Pan Hd., #10-24 x 3/8"
23	2400182	2	Spring, Compression	59	2800213	1	Emergency Stop Button
24	2900033	4	Hex Nut, 3/8"-16	60	2800229	1	Contact Block N.C.
25	6010011	1	Engine Base		2800214	1	Contact Block N.O. (Older Models)
26	2900104	2	Setscrew, Sq. Hd., 5/8"-11 x 6"	61	6011200	1	Front Pointer Assembly
27	2900112	2	Hex Nut, 5/8"-11	62	6011201	1	Front Pointer Frame
28	2900446	2	Swivel Pad Nut, 5/8"-11	63	6011152	2	Front Pointer Arm
29	2900147	2	Capscrew, Hex Hd., 5/8"-11 x 1-3/4"	64	2900105	2	Capscrew, Hex Hd., 1/2"-13 x 2-3/4"
30	6010012	1	Frame Lift	65	2501199	1	Caster, Threaded Stem
31	2900286	1	Capscrew, Button Hd., 5/8"-11 x 2"	66	6010009	1	Front Pointer Rod
32	2900136	1	Capscrew, Hex Hd., 5/8"-11 x 2"	67	2500740	1	Pointer Cap
33	6010013	1	Frame Lift Brace	68	6010010	1	Pointer Cord
34	2900013	1	Capscrew, Hex Hd., 3/8"-16 x 1-1/4"	69	3200221	3	Cord Clamp
35	2700208	1	Battery, 12 Volt	70	2900002	6	Flat Washer, 5/8" SAE
36	6010016	1	Battery Pad	71	2900128	2	Flat Washer, 5/8" USS
				72	2900135	4	Lock Nut, 5/8"-11 Nylon



**Parts List**  
**Drawing II**  
**Blade Shaft and Axles Group**

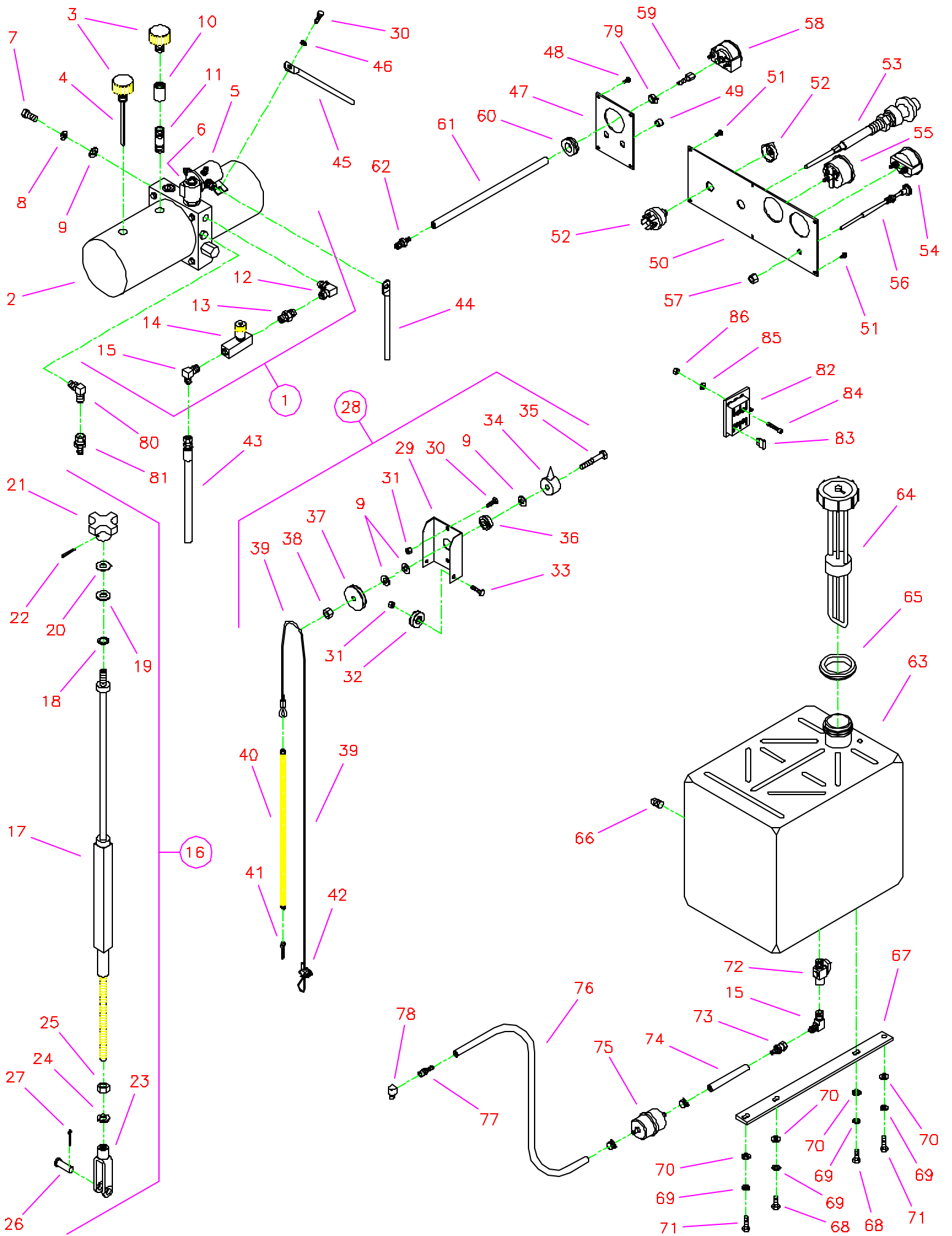
Diagram Number	Part No.	Qty. Req.	Description	Diagram Number	Part No.	Qty. Req.	Description
1	6012063	1	Rear Axle Assembly with 68 Tooth Gear (Includes #2 - #14)	26	2900145	4	Flat Washer, 1" USS
	6012050	1	Rear Axle Assembly with Chain Sprocket (Includes #4 - #15)	27	2500009	2	Set Collar, 1"
2	6012064	1	Rear Axle Weldment with 68 Tooth Gear (Includes #3 - #5)	28	2900431	2	Setscrew, Sq. Hd., 5/16"-18 x 1/2"
3	6010284	1	Wheel Drive Gear, 68 Tooth	29	2900184	1	Grease Fitting, 1/4"-28 x 45°
4	6012049	1	Rear Axle	30	2500267	1	Wheel Drive Sprocket, 35 Tooth
5	6010169	1	Key, 1/4" Sq. x 1-1/4"	31	6012011	1	Blade Shaft Assembly with 4-1/2" Diameter Flanges (Includes #32 - #45)
6	2900142	2	Setscrew, Soc. Hd., 5/16"-18 x 3/8"		6012012	1	Blade Shaft Assembly with 6-1/4" Diameter Flanges (Includes #32 - #45)
7	2500158	4	Pillow Block Bearing 1-1/4"	32	6012003	1	Blade Shaft
7A	2900061	4	Grease Fitting, 1/4"-28 x 90°	33	6012065	1	Key, 3/8" Sq. x 3-1/2"
8	6010024	2	Rear Axle Bearing Spacer, 1/8"	34	2500151	2	Blade Shaft Bearing, 1-3/4" (Includes #35)
9	2500873	2	Wheel, 10" Rear with 2" Bore	35	2900198	2	Grease Fitting, 1/8" NPT
10	2500874	2	Trantorque Bushing, 1-1/4"	36	2900512	4	Capscrew, Hex Hd., 5/8"-11 x 1-1/4"
11	2900025	6	Capscrew, Hex Hd., 1/2"-13 x 1-1/4"	37	2900113	7	Lock Washer, 5/8" Split
12	2900084	8	Lock Washer, 1/2" Split	38	2900002	6	Flat Washer, 5/8" SAE
13	2900058	8	Flat Washer, 1/2" SAE	39	6010036	2	Inner Flange, 4-1/2" for 14" - 26" Blade Guards
14	2900139	2	Capscrew, Hex Hd., 1/2"-13 x 1-3/4"		6010038	2	Inner Flange, 6-1/4" for 30" & 36" Blade Guards
15	6012051	1	Rear Axle Weldment with Chain Sprocket (Includes #4 - #6, #30)	40	2900418	2	Setscrew, Soc. Hd., 5/16"-18 x 5/8"
16	2500177	1	Hydraulic Cylinder	41	6010040	2	Key, 1/4" Sq. x 13/16"
	2500278	1	(Seal Kit)	42	6010037	1	Outer Flange, 4-1/2" with Drive Pin for 14" - 26" Blade Guards
17	6010031	1	Cylinder Pin, 3"		6010039	1	Outer Flange, 6-1/4" with Drive Pin for 30" & 36" Blade Guards
18	2900064	4	Hair Pin Cotter, 3/4"	43	2900197	1	Drive Pin, 3/8" Dia. x 2"
19	6010119	1	Cylinder Pin, 3-1/2"	44	2900146	1	Capscrew, Hex Hd., 5/8"-11 x 4" Right Hand
20	3200067	1	Cylinder Breather, 1/4" NPT	45	2900130	1	Capscrew, Hex Hd., 5/8"-11 x 4" Left Hand
21	3200057	1	Elbow, 1/4" Male Pipe to 1/4" Male JIC	46	6010230	1	Shaft Tach Gear, Split
22	3200054	1	Hydraulic Hose Assembly, 32" Long	47	2900089	2	Capscrew, Soc. Hd., 1/4"-28 x 1"
23	6012022	1	Front Axle Assembly (Includes #7, #11 - #13, #24 - #29)	48	2800169	1	Magnetic Sensor with Wire Connector and Hex Nut
24	6012002	1	Front Axle Weldment				
25	2500182	2	Wheel, 8" Front				
	2500673	2	(Roller Bearing and Seals Kit)				





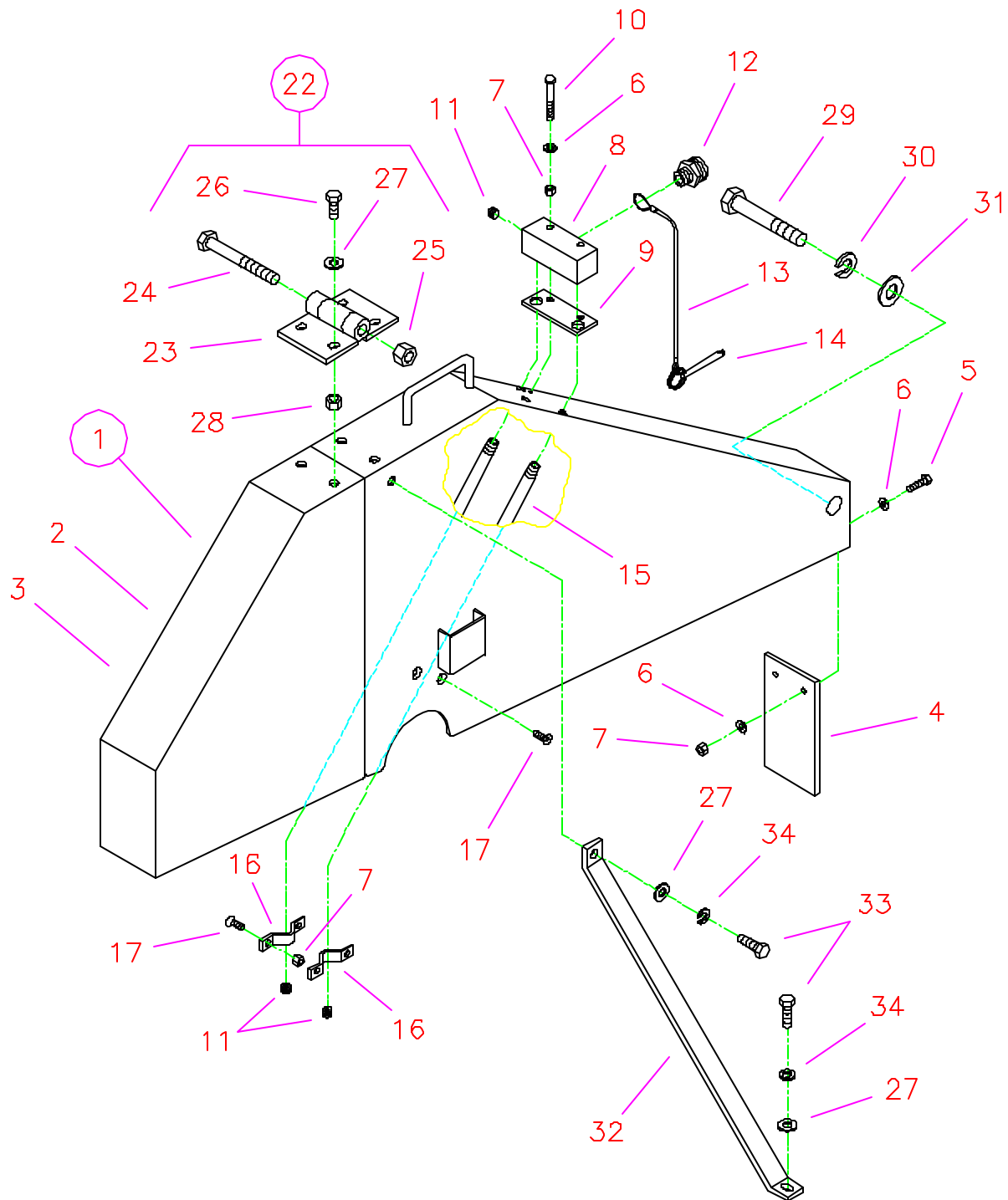
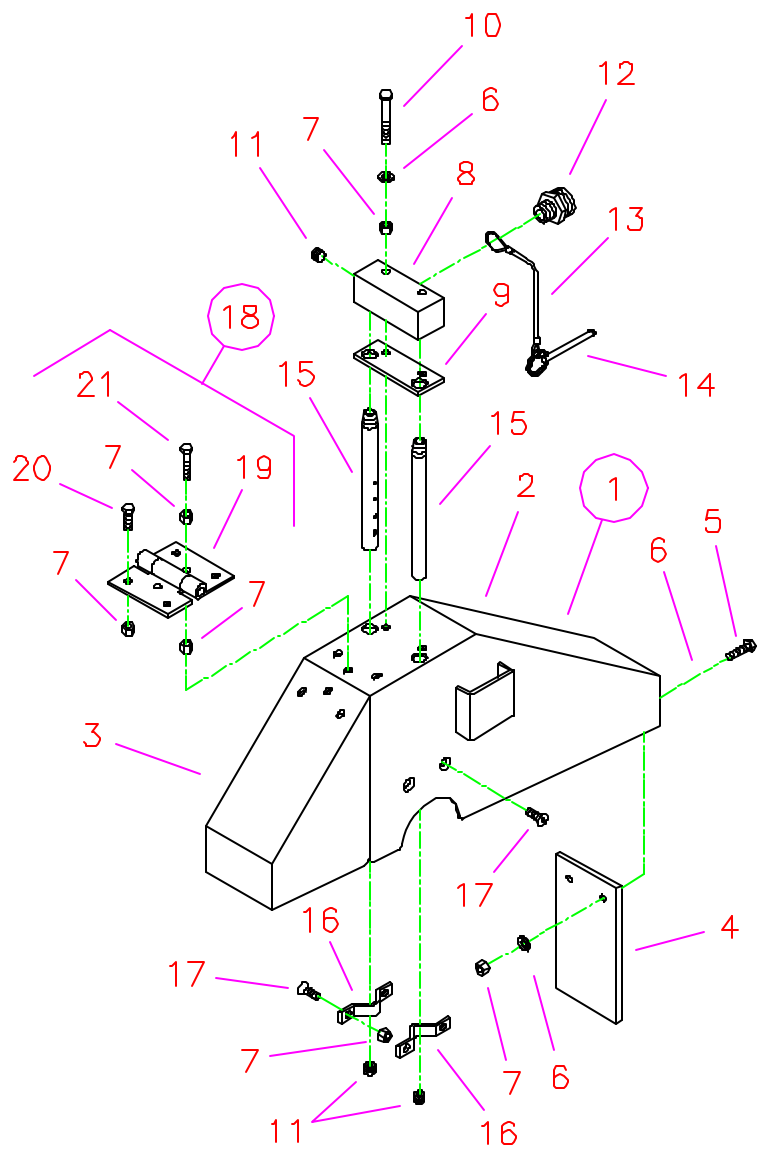
**Parts List  
Drawing V  
Eaton Transmission Group**

Diagram Number	Part No.	Qty. Req.	Description	Diagram Number	Part No.	Qty. Req.	Description
1	6010192	1	Speed Control Lever Assembly for Older Saws (Includes #2 - #6)	34	2900026	4	Lock Nut, 1/2"-13 Nylon
				35	2500152	6	Rod End, 3/8"-24
2	6010054	1	Speed Control Lever Only	36	2900148	6	Hex Nut, 3/8"-24
3	6010108	1	Raise/Lower Wiring Harness	37	6010065	1	Rod, 3/8"-24 x 3-1/2"
4	2800167	1	Push Button Switch, Lower	38	6012058	1	Bell Crank
5	2800166	1	Push Button Switch, Raise	39	6012067	1	Rod, 3/8"-24 x 9"
6	2500206	2	End Plug	40	2900006	11	Lock Washer, 3/8" Split
7	2900047	2	Capscrew, Hex Hd., 3/8"-16 x 1-3/4"	41	6011031	2	Edge Trim
8	2900014	19	Flat Washer, 3/8" SAE	42	6010068	1	Transmission Platform Weldment
9	2900153	5	Friction Washer, 3/8"	43	2900140	1	Setscrew, Sq. Hd., 5/16"-18 x 1-1/2"
10	6010055	1	Friction Spacer	44	2900141	1	Hex Nut, 5/16"-18
11	2900018	13	Lock Nut, 3/8"-16 Nylon	45	2500150	1	Sprocket, 11 Tooth with Setscrew
12	6012057	1	Lever Support Weldment	46	2900063	1	Woodruff Key #5, 1/8" Wide x 5/8" Dia.
13	2900144	8	Capscrew, Hex Hd., 1/4"-20 x 3/4"	47	6010069	1	#40 Chain, 56 Pitch
14	2900010	8	Lock Nut, 1/4"-20 Nylon	48	2500148	1	Sprocket, 45 Tooth
15	6010057	1	Engagement Lever Weldment	49	2500149	1	Sprocket Bushing with Fasteners
16	2500002	1	Hand Grip	50	6013101	1	Transmission Jackshaft, 11 Tooth
17	2900029	7	Capscrew, Hex Hd., 3/8"-16 x 1-1/2"	51	6048229	1	Key, 3/16" Sq. x 1-1/4"
18	6010058	1	Gate Plate	52	2500159	2	Pillow Block Bearing, 3/4"
19	2600068	1	Hydrostatic Transmission	53	2900005	4	Capscrew, Hex Hd., 3/8"-16 x 1"
20	6010059	1	Return Hose, 3/8" I.D. x 19" Long	54	6010166	1	Gate Cover Bar
21	3200062	1	Hose Clamp #4	55	2900542	1	Tap Bolt, Hex Hd., 1/2"-13 x 3-1/2"
22	3200046	2	Fitting, 3/8 Female JIC to 3/8" Push Lock	56	6012066	1	Rod, 3/8"-24 x 4-1/4"
23	6010060	1	Oil Recirculation Hose, 3/8" I.D. x 9"	57	6010316	1	Speed Control Lever Assembly for Newer Saws (Includes #58 - #67)
24	6010061	1	Transmission Pulley				
25	2900142	2	Setscrew, Soc. Hd., 5/16"-18 x 3/8"	58	6010314	1	Speed Control Lever Only
26	2900143	1	Woodruff Key #61, 3/16" Wide x 5/8" Dia.	59	2501280	1	Control Grip Body
27	6012068	1	Link Belt	60	2501281	1	Control Grip Cover
	2500169	1	(Link Belt Assembly Tool)	61	2500644	1	Plug, Rectangular
28	6010027	1	Mount Foot, Right Hand	62	2900452	1	Screw, Oval Head, #4 x 5/8"
29	2900139	2	Capscrew, Hex Hd., 1/2"-13 x 1-3/4"	63	2800372	1	Pushbutton Switch, Raise
30	6010028	1	Mount Foot, Left Hand	64	2800373	1	Pushbutton Switch, Lower
31	2900035	4	Capscrew, Hex Hd., 3/8"-16 x 3"	65	2500694	2	Plug, 5/8" Hole
32	6010064	1	Shift Lever	66	2900453	1	Setscrew, Soc. Hd., M5 x 12mm
33	2900058	5	Flat Washer, 1/2" SAE	67	2800393	1	Wiring Harness, Hydraulic Pump



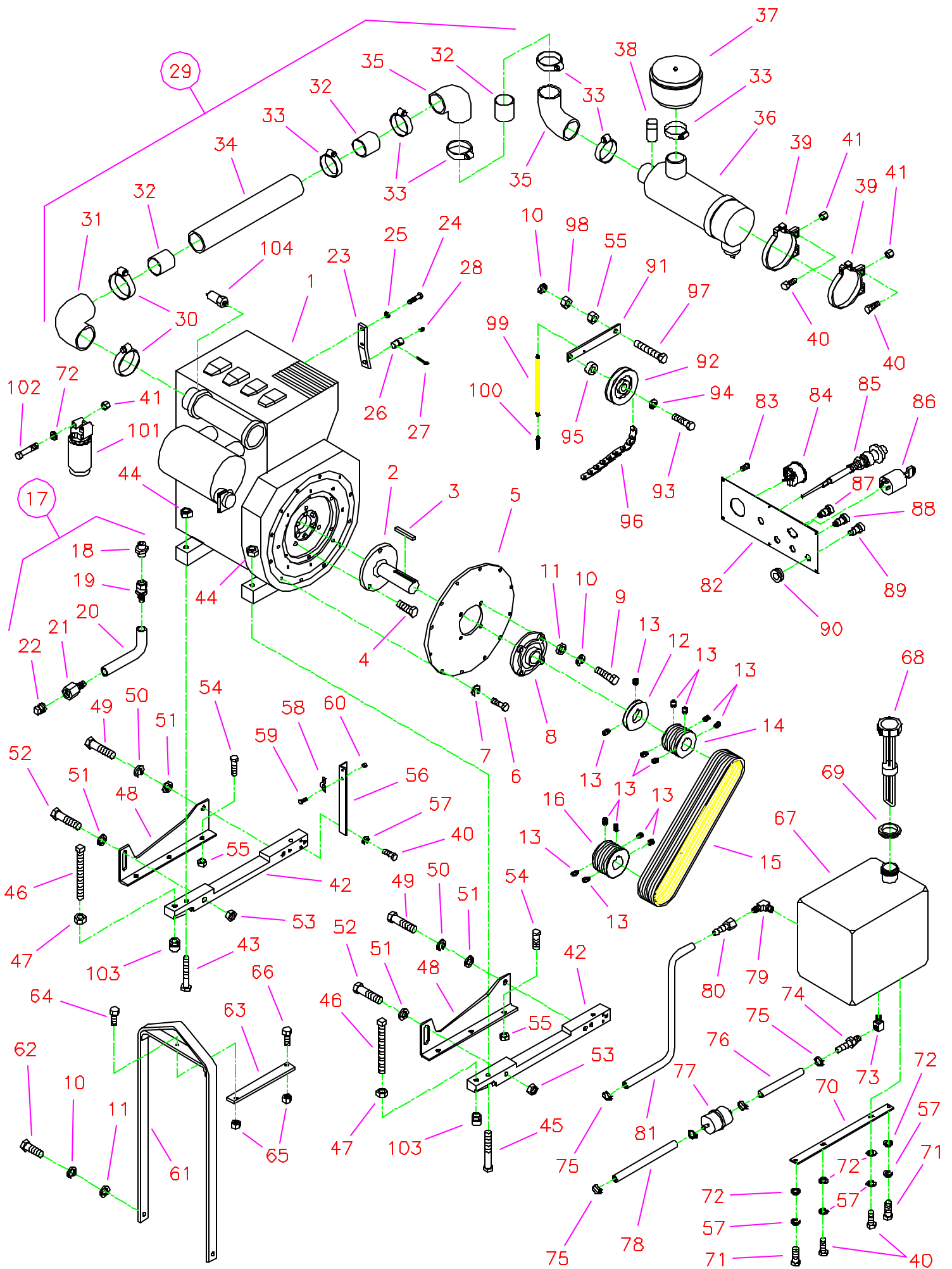
**Parts List  
Drawing VI  
Controls Group**

Diagram Number	Part No.	Qty. Req.	Description	Diagram Number	Part No.	Qty. Req.	Description
1	6011077	1	Hydraulic Pump Assembly (Includes #2 - #15)	43	3200054	1	Hydraulic Hose Assembly, 32" Long
2	2600070	1	Hydraulic Pump Unit (Includes #3 - #6)	44	2800095	1	Solenoid Cable (Red)
3	2700321	2	Breather Cap, 3/8" NPT	2800071	1	Battery Cable, Positive (CC3700E)	
4	2701815	1	Dipstick	45	2800182	1	Negative Ground Cable (Black)
5	2700169	1	Solenoid, Motor	46	2900024	1	Lock Washer, 1/4" Split
6	2700243	1	Valve Coil	47	6010222	1	Switch Plate (CC3765)
	2700244	1	Valve Stem	6010098	1	Switch Plate	
7	2900005	2	Capscrew, Hex Hd., 3/8"-16 x 1"	48	2900445	6	Tapscrow, Flat Hd., #10-24 x 1/2"
8	2900006	2	Lock Washer, 3/8" Split	49	2500204	3	Plug, 1/2" Hole
9	2900014	5	Flat Washer, 3/8" SAE	50	6012028	1	Gauge Panel
10	3200120	1	Pipe Coupling, 3/8" NPT	51	2900021	4	Tapscrow, Pan Hd., #10-24 x 3/8"
11	3200123	1	Pipe Nipple, 3/8" NPT x 2"	52	2500220	1	Ignition Switch
12	3200115	1	Elbow, 3/8" O-Ring to 1/4" Female Pipe Swivel	53	2500376	1	Vernier Throttle Cable
13	3200060	1	Hex Nipple, 1/4" NPT	54	2800271	1	Volt Meter
14	3200056	1	Flow Control Valve, 1/4" NPT	2800059	1	Amp Meter (Older Models)	
15	3200057	2	Elbow, 1/4" Male Pipe to 1/4" Male JIC	55	2800064	1	Hour Meter
16	6010215	1	Depth Stop Assembly (Includes #17 - #27)	56	2500186	1	Choke Cable
17	6010097	1	Depth Stop Weldment	57	2900148	1	Hex Nut, 3/8"-24
18	2900133	1	Wave Washer	58	2500179	1	Oil Pressure Gauge (CC3765)
19	2900058	1	Flat Washer, 1/2" SAE	59	3200188	1	Fitting, 1/8" Female Pipe to 1/4" Hose Barb
20	2900239	1	Friction Washer, 1/2"	60	2500203	2	Grommet
21	6010095	1	Depth Stop Knob	61	6010100	1	Oil Pressure Line Hose, 1/4" I.D. x 32"
22	2900132	1	Roll Pin, 3/16" x 1-1/4"	62	3200064	1	Fitting, 1/4" Male SAE to 1/4" Push Lock
23	2900158	1	Yoke, 1/2"-13	63	2500648	1	Fuel Tank, 6 Gallon
24	2900084	1	Lock Washer, 1/2" Split	64	2500649	1	Fuel Tank Cap with Gauge
25	2900037	1	Hex Nut, 1/2"-13	65	2500205	1	Fuel Tank Grommet
26	2900007	1	Clevis Pin, 1/2" Dia. x 1-3/8"	66	3200206	1	Pipe Plug, 1/4" NPT
27	2900004	1	Cotter Pin, 1/8" x 1"	67	6011083	2	Fuel Tank Mount Bar
28	6010214	1	Depth Indicator Assembly (Includes #9, #29 - #42)	68	2900019	4	Capscrew, Hex Hd., 5/16"-18 x 3/4"
29	6010092	1	Depth Indicator Mount Bracket	69	2900031	8	Lock Washer, 5/16" Split
30	2900144	3	Capscrew, Hex Hd., 1/4"-20 x 3/4"	70	2900022	8	Flat Washer, 5/16" SAE
31	2900010	4	Lock Nut, 1/4"-20 Nylon	71	2900138	4	Capscrew, Hex Hd., 5/16"-18 x 1"
32	2500155	2	Cable Pulley, 1-1/4"	72	3200108	1	Fuel Shut-off Valve
33	2900008	2	Capscrew, Hex Hd., 1/4"-20 x 1"	73	3200091	1	Fitting, 1/4" Female JIC to 1/4" Push Lock
34	6010091	1	Depth Indicator Pointer	74	6010218	1	Fuel Line Hose, 1/4" I.D. x 4" Long
35	2900079	1	Capscrew, Hex Hd., 3/8"-16 x 2-1/4"	75	2500201	1	Fuel Filter with Clamps
36	2500145	1	Flange Bearing, 3/8"	76	6011062	1	Fuel Line Hose, 1/4" I.D. x 20" Long
37	6010093	1	Cable Pulley, 2"	77	3200065	1	Fitting, 1/8" Male Pipe to 1/4" Push Lock
38	2900018	1	Lock Nut, 3/8"-16 Nylon	78	3200156	1	Street Elbow, 1/8" NPT Brass
39	6010094	1	Depth Indicator Cable with Crimp, 48"	79	3200062	1	Hose Clamp #4
40	2500196	1	Spring, 3/8" x 15"	80	3200116	1	Elbow, 1/4" O-Ring to 3/8" Male JIC
41	2900055	1	Cotter Pin, 3/16" x 1"	81	3200046	1	Fitting, 3/8" Female JIC to 3/8" Push Lock
42	2500214	1	Cable Clamp	82	2800388	1	Fuse Panel, 6 Circuit
				83	2800389	6	Fuse, 10 Amp Red ATO/ATC
				84	2900451	2	Capscrew, Soc. Hd., #10-24 x 1-1/4"
				85	2900016	2	Flat Washer, #10 USS
				86	2900017	2	Lock Nut, #10-24 Nylon



**Parts List**  
**Drawing VII**  
**Blade Guard Assembly**

Diagram Number	Part No.	Qty. Req.	Description	Diagram Number	Part No.	Qty. Req.	Description
1	6010070	1	14" Blade Guard Assembly (Includes #2 - #21)	14	2900156	1	Lock Pin Only
	6010072	1	20" Blade Guard Assembly (Includes #2 - #20)	15	6048283	2	Water Tube for 14" Blade Guard
	6010074	1	26" Blade Guard Assembly (Includes #2 - #17, #22)		6010085	2	Water Tube for 20" Blade Guard
	6010076	1	30" Blade Guard Assembly (Includes #2 - #17, #22)		6010086	2	Water Tube for 26" Blade Guard
	6010260	1	36" Blade Guard Assembly (Includes #2 - #17, #22 - #31)		6010087	2	Water Tube for 30" Blade Guard
					6010088	2	Water Tube for 36" Blade Guard
				16	6048155	2	Water Tube Clamp
				17	2900020	4	Capscrew, Flat Hd., 1/4"-20 x 3/4"
				18	6048150	1	Hinge Assembly for 14" Blade Guard (Includes #7, #19 - #21)
2	6010071	1	14" Blade Guard Front & Rear Only		6010251	1	Hinge Assembly for 20" Blade Guard (Includes #7, #19, #20)
	6010073	1	20" Blade Guard Front & Rear Only				
	6010075	1	26" Blade Guard Front & Rear Only	19	2500270	1	Hinge Only
	6010077	1	30" Blade Guard Front & Rear Only	20	2900144	6	Capscrew, Hex Hd., 1/4"-20 x 3/4"
	6010259	1	36" Blade Guard Front & Rear Only	21	2900052	1	Capscrew, Hex Hd., 1/4"-20 x 1-1/4"
3	6010304	1	14" Blade Guard Front Only	22	6010263	1	Hinge Assembly for 26"-36" Blade Guards (Includes #23 - #28)
	6010305	1	20" Blade Guard Front Only				
	6010306	1	26" Blade Guard Front Only	23	6010125	1	Hinge Only
	6010307	1	30" Blade Guard Front Only	24	2900509	1	Capscrew, Hex Hd., 1/2"-13 x 4"
	6010308	1	36" Blade Guard Front Only	25	2900026	1	Lock Nut, 1/2"-13 Nylon
4	6010081	1	Splash Flap	26	2900013	4	Capscrew, Hex Hd., 3/8"-16 x 1-1/4"
5	2900008	2	Capscrew, Hex Hd., 1/4"-20 x 1"	27	2900014	6	Flat Washer, 3/8" SAE
6	2900009	6	Flat Washer, 1/4" SAE	28	2900018	4	Lock Nut, 3/8"-16 Nylon
7	2900010	15	Lock Nut, 1/4"-20 Nylon	29	2900291	1	Capscrew, Hex Hd., 5/8"-18 x 4"
8	6010261	1	Manifold for 14" - 30" Blade Guards	30	2900113	1	Lock Washer, 5/8" Split
	6010264	1	Manifold for 36" Blade Guard	31	2900002	1	Flat Washer, 5/8" SAE
9	2500830	1	Manifold Gasket	32	6012009	1	Blade Guard Brace for 30" & 36" Blade Guards
10	2900294	2	Capscrew, Hex Hd., 1/4"-20 x 2"				
11	3200001	3	Pipe Plug, 1/8" NPT	33	2900005	2	Capscrew, Hex Hd., 3/8"-16 x 1"
12	3200002	1	Fitting, 3/4" Male Garden Hose to 3/8" Male Pipe	34	2900006	2	Lock Washer, 3/8" Split
13	2900278	1	Lanyard with Lock Pin for 14" & 20" Blade Guards				
	2900279	1	Lanyard with Lock Pin for 26" & 30" Blade Guards				
	2900280	1	Lanyard with Lock Pin for 36" Blade Guard				



**Parts List**  
**Drawing VIII**  
**Diesel Engine Group**

Diagram Number	Part No.	Qty. Req.	Description	Diagram Number	Part No.	Qty. Req.	Description
1	2600198	1	Engine, 28 Hp Deutz Diesel	47	2900112	2	Hex Nut, 5/8"-11
2	6012036	1	PTO Shaft	48	6012038	2	Engine Mount
3	6011027	1	Bevel End Key, 3/8" Sq. x 3-1/4" Long	49	2900147	2	Capscrew, Hex Hd., 5/8"-11 x 1-3/4"
4	2900349	3	Capscrew, Hex Hd., M14 x 35mm	50	2900113	2	Lock Washer, 5/8" Split
5	6012037	1	Inner Ring Support	51	2900002	4	Flat Washer, 5/8" SAE
6	2900223	11	Capscrew, Hex Hd., M10 x 30mm	52	2900195	2	Capscrew, Hex Hd., 5/8"-11 x 3"
7	2900321	11	Lock Washer, M10 Split	53	2900135	2	Lock Nut, 5/8"-11 Nylon
8	2500658	1	Flange Cartridge Bearing, 1-3/4"	54	2900025	6	Capscrew, Hex Hd., 1/2"-13 x 1-1/4"
9	2900331	4	Capscrew, Hex Hd., M12 x 40mm	55	2900026	7	Lock Nut, 1/2"-13 Nylon
10	2900084	7	Lock Washer, 1/2" Split	56	6013030	1	Throttle Brace
11	2900058	6	Flat Washer, 1/2" SAE	57	2900031	10	Lock Washer, 5/16" Split
12	6012006	1	Accessory Drive Pulley, 1-3/4" Bore	58	2500940	1	Throttle Cable Clamp
13	2900142	14	Setscrew, Soc. Hd., 5/16"-18 x 3/8"	59	2900015	2	Capscrew, Hex Hd., #10-24 x 3/4"
14	6011009	1	Sheave, 3.65-6 Groove x 1-3/4" Bore for 14" & 20" Blade Guards	60	2900017	2	Lock Nut, #10-24 Nylon
	6012005	1	Sheave, 3.12-6 Groove x 1-3/4" Bore for 26" - 36" Blade Guards	61	6012039	1	Frame Lift
				62	2900139	2	Capscrew, Hex Hd., 1/2"-13 x 1-3/4"
15	2500298	6	V-Belt, 3VX475	63	6012040	1	Frame Lift Brace
	2500595	2	Banded Belt, 3VX475-3 Strand	64	2900013	1	Capscrew, Hex Hd., 3/8"-16 x 1-1/4"
16	6011009	1	Sheave, 3.65-6 Groove x 1-3/4" Bore for 14" Blade Guard	65	2900018	2	Lock Nut, 3/8"-16 Nylon
	6011010	1	Sheave, 4.12-6 Groove x 1-3/4" Bore for 20" & 26" Blade Guards	66	2900005	1	Capscrew, Hex Hd., 3/8"-16 x 1"
	6012052	1	Sheave, 4.75-6 Groove with 1-3/4" Taper Bushing for 30" & 36" Blade Guards	67	2500648	1	Fuel Tank, 6 Gallon
	2500367	1	(Sheave Only, 4.75-6 Groove)	68	2500649	1	Fuel Tank Cap with Gauge
	2500454	1	(Bushing Only, 1-3/4" Taper-Lock with Setscrews)	69	2500205	1	Fuel Tank Grommet
17	6013067	1	Oil Drain Hose Assembly (Includes #18 - #22)	70	6011083	2	Fuel Tank Mount Bar
18	3200180	1	Fitting, M18 x 1.5 Male to 1/2" Male JIC	71	2900138	4	Capscrew, Hex Hd., 5/16"-18 x 1"
19	3200181	1	Fitting, 1/2" Female JIC to 1/2" Push Lock	72	2900022	10	Flat Washer, 5/16" SAE
20	6013068	1	Oil Drain Hose, 1/2" I.D. x 36" Long	73	3200012	1	Street Elbow, 1/4" NPT
21	3200163	1	Fitting, 1/2" Female Pipe to 1/2" Push Lock	74	3200202	1	Fitting, 1/4" Male Pipe to 5/16" Hose Barb
22	3200160	1	Plug, 1/2" NPT	75	3200062	3	Hose Clamp #4
23	6013029	1	Throttle Arm	76	6013095	1	Fuel Line Hose, 5/16" I.D. x 4" Long
24	2900310	2	Capscrew, Hex Hd., M6 x 20mm	77	2500474	1	Fuel Filter with Clamps
25	2900024	2	Lock Washer, 1/4" Split	78	6013096	1	Fuel Line Hose, 5/16" I.D. x 27" Long
26	6048212	1	Pivot Pin	79	3200057	1	Elbow, 1/4" Male Pipe to 1/4" Male JIC
27	2900034	1	Cotter Pin, 3/32" x 3/4"	80	3200091	1	Fitting, 1/4" Female JIC to 1/4" Push Lock
28	2900059	1	Setscrew, Soc. Hd., #10-32 x 1/4"	81	6010103	1	Fuel Line Hose, 1/4" I.D. x 28" Long
29	6012043	1	Air Intake Hose Assembly (Includes #30 - #35)	82	6012041	1	Gauge Panel
30	3200197	2	Hose Clamp #52	83	2900021	6	Tapscrow, Pan Hd., #10-24 x 3/8"
31	2500669	1	Hose Elbow, 3" I.D.	84	2800064	1	Hour Meter
32	6010052	3	Connector Tube, 2-1/2" O.D.	85	2500376	1	Vernier Throttle Cable
33	3200096	6	Hose Clamp #40	86	2700783	1	Ignition Switch with Key
34	6012044	1	Air Cleaner Hose, 2-1/2" I. D. x 18" Long		2701261	1	(Ignition Key Only)
35	2500232	2	Hose Elbow, 2-1/2" I.D.	87	2700786	1	Oil Pressure Light (Green)
36	2500180	1	Air Cleaner, Complete		2700923	1	(Bulb Only)
	2500237	1	(Outer Primary Element)	88	2700787	1	Oil Temperature Light (Red)
	2500238	1	(Inner Safety Element)		2700923	1	(Bulb Only)
	2500239	1	(Rubber Dust Ejector Boot, 2")	89	2700785	1	Alternator Light (Orange)
37	2500105	1	Pre-Cleaner with Clamp		2700923	1	(Bulb Only)
	2500493	1	(Clear Plastic Bowl Only)	90	2500203	1	Grommet
38	2500423	1	Restriction Indicator	91	6012046	1	Idler Arm
39	2500107	2	Mounting Strap, 5-1/4"	92	2500074	1	Idler Pulley
40	2900019	10	Capscrew, Hex Hd., 5/16"-18 x 3/4"	93	2900047	1	Capscrew, Hex Hd., 3/8"-16 x 1-3/4"
41	2900039	6	Lock Nut, 5/16"-18 Nylon	94	2900006	1	Lock Washer, 3/8" Split
42	6013008	2	Engine Support Leg	95	2500007	1	Set Collar, 1/2"
43	2900346	2	Capscrew, Hex Hd., M12 x 80mm	96	6012017	1	Link Belt for Sundstrand Transmission
44	2900327	4	Lock Nut, M12 Nylon		6012068	1	Link Belt for Eaton Transmission
45	2900347	2	Capscrew, Hex Hd., M12 x 100mm		2500169	1	(Link Belt Assembly Tool)
46	2900104	2	Setscrew, Sq. Hd., 5/8"-11 x 6"	97	2900541	1	Tap Bolt, Hex Hd., 1/2"-13 x 2-3/4"
				98	2900037	1	Hex Nut, 1/2"-13
				99	2500195	1	Idler Spring, 3/8" x 7-3/4"
				100	2900055	1	Cotter Pin, 3/16" x 1"
				101	2701339	1	Fuel Filter Only
				102	2900289	2	Capscrew, Hex Hd., 5/16"-18 x 2-1/4"
				103	2900446	2	Swivel Pad Nut, 5/8"-11
				104	2800386	1	Vacuum Switch

---

**Wiring Diagram**  
**28Hp Deutz Diesel**  
**(After 9-1-2000)**

---

Diagram Number	Part No.	Qty. Req.	Description	Diagram Number	Part No.	Qty. Req.	Description
1	2800396	1	Control Panel Harness	25	2800213	1	Emergency Stop Button
2	2800429	1	Engine Harness (Includes #31 & #32)		2800229	1	Contact Block N.C.
3	2800397	1	Optional Tach Sensor Harness (Includes #29 & #30)	26	2800388	1	Fuse Panel, 6 Circuit
4	2800392	1	Relay Harness		2800389	6	Fuse, 10 Amp Red ATO/ATC
5	2800393	1	Hydraulic Pump Harness	27	2800168	1	Optional Tach/Hour Meter
6	2800073	1	Battery Cable, Positive (Red)		2800267	1	Light Bulb, Wedge Base
7	2800072	1	Battery Cable, Negative (Black)	28	2800169	1	Optional Magnetic Sensor (Includes #29)
8	2800095	1	Solenoid Cable, Positive (Red)	29	2800145	2	Optional Connector, 2 Wire Shroud
9	2800182	1	Ground Cable, Negative (Black)		2800114	4	Male Terminal, 14/16 Gage Wire
10	2700208	1	Battery, 12 Volt		2800174	4	Cable Seal, Gray
11	2600070	1	Hydraulic Pump Unit (Includes #12 and #13)	30	2800146	2	Optional Connector, 2 Wire Tower
12	2700169	1	Solenoid, Motor		2800115	4	Female Terminal, 14/16 Gage Wire
13	2700243	1	Valve Coil		2800174	4	Cable Seal, Gray
	2700244	1	Valve Stem	31	2800145	1	Connector, 2 Wire Shroud
14	2800372	1	Pushbutton Switch, Raise		2800114	1	Male Terminal, 14/16 Gage Wire
15	2800373	1	Pushbutton Switch, Lower		2800112	1	Male Terminal, 12 Gage Wire
16	2701821	1	Starting Motor (Includes #17)		2800174	1	Cable Seal, Gray
17	2701823	1	Solenoid Switch		2800175	1	Cable Seal, Blue
18	2800064	1	Hour Meter	32	2800146	1	Connector, 2 Wire Tower
19	2700785	1	Alternator Light (Orange)		2800115	1	Female Terminal, 14/16 Gage Wire
	2700923	1	(Bulb Only)		2800113	1	Female Terminal, 12 Gage Wire
20	2700786	1	Oil Pressure Light (Green)		2800174	1	Cable Seal, Gray
	2700923	1	(Bulb Only)		2800175	1	Cable Seal, Blue
21	2700787	1	Oil Temperature Light (Red)	33	2800062	2	Optional Toggle Switch
	2700923	1	(Bulb Only)		2800063	2	Switch Boot
22	2700783	1	Ignition Switch with Key	34	2500194	1	Optional Spot Light, 12 Volt
	2701261	1	(Ignition Key Only)	35	2501087	1	Optional Magnetic Base Light, 12 Volt
23	2800387	1	Circuit Breaker, 25 Amp	36	2800374	1	Optional Power Outlet, 12 Volt
	2800364	1	Circuit Breaker Boot, Red		2800375	1	Outlet Cap
24	2800144	1	Relay	37	2600200	1	Optional Water Pump, Diaphragm
	2800263	1	Relay Connector				
	2800264	4	Wire Terminal, 1/4" Push-on				



## Blade / Engine Speed (RPM) Chart Model Concrete Saw

**WARNING:** Do not exceed Bladeshaft speed (RPM) shown for each blade size. Excessive Blade Speed could result in blade breakage and serious personal injury.

Blade Size	Max Depth of Cut
14"	4-5/8"
20"	7-5/8"
26"	10-5/8"
30"	11-3/4"
36"	14-3/4"

Blade Size	Bladeshaft		Engine	
	No Load RPM	Sheave Size	No Load RPM	Sheave Size
14"	3,000	3.65"	3,000	3.65"
20"	2,475	4.12"	2,800	3.65"
26"	1,900	4.12"	2,500	3.12"
30"	1,650	4.75"	2,500	3.12"
36"	1,400	4.75"	2,150	3.12"

**CAUTION:** When changing blade size, use chart shown below for selecting items that must be changed.

Model CC3728	14"	20"	26"	30"	36"
Blade Guard Assembly	6010070	6010072	6010074	6010076	6010260
Engine Sheave, 1-3/4" Bore (Sheave Size)	6011009 (3.65")	6011009 (3.65")	6012005 (3.12")	6012005 (3.12")	6012005 (3.12")
Bladeshaft Sheave, 1-3/4" Bore (Sheave Size)	6011009 (3.65")	6011010 (4.12")	6011010 (4.12")	6012052 (4.75")	6012052 (4.75")
Inner Flanges (Flange Size)	6010036 (4.50")	6010036 (4.50")	6010036 (4.50")	6010038 (6.25")	6010038 (6.25")
Outer Flange (Flange Size)	6010037 (4.50")	6010037 (4.50")	6010037 (4.50")	6010039 (6.25")	6010039 (6.25")
Skid Plate Mounting Holes	Bottom Set	Bottom Set	Bottom Set	Top Set	Top Set

**Options Available:**

- #6011032 Water Pump Kit - includes 12 Volt Pump, Toggle Switch, Hose and Fittings.
- #6010112 Spotlight Kit - includes 12 Volt Light, Mounting Bar and Bracket, Lock Knobs, Toggle Switch.
- #6010179 Free Wheeling Clutch Kit - includes Clutch Sprocket and Hub, Engage/Disengage Lever, Linkage.
- #6047932 Water Safety Switch Kit – includes Safety Shut-off Switch and Toggle Switch.
- #6010226 Bladeshaft Tachometer Kit - includes Tach/Hour Meter, Magnetic Sensor, Gear, Wiring Harness.
- #6010227 Lowering Speed Metering Valve Kit - includes Metering Valve, Check Valve, Hydraulic Hose & Fittings.
- #6011170 Magnetic Spotlight Kit – includes 12 Volt Light with Magnetic Base, Power Outlet, Toggle Switch.
- #6010249 Extended Bladeshaft Kit (3/4" to 1-1/2") – includes 5" Extended Outer Flange, Bolt, 20" Extra Wide Blade Guard.
- #6010229 Extended Bladeshaft Kit (1-1/2" to 2-1/4") – includes Shaft Extension, 5" Outer Flange, Nut, 20" Extra Wide Blade Guard.
- #6010185 Side Plunge Kit – includes Bladeshaft, 8" Flanges, and 20" Extra Wide Blade Guard.

**⚠ WARNING:** Do not exceed blade speed (RPM) shown for each blade size. Excessive blade speed could result in blade breakage and serious personal injury!

CC3728 RPM CHART						
BLADE SIZE	BLADE RPM	BLADESHAFT SHEAVE	ENGINE SHEAVE	ENGINE RPM	FLANGE SIZE	MAX CUT DEPTH
14"	3,000	3.65"	3.65"	3,000	4-1/2"	4-5/8"
20"	2,475	4.12"	3.65"	2,800	4-1/2"	7-5/8"
26"	1,900	4.12"	3.12"	2,500	4-1/2"	10-5/8"
30"	1,650	4.75"	3.12"	2,500	6-1/4"	11-3/4"
36"	1,400	4.75"	3.12"	2,150	6-1/4"	14-3/4"
